

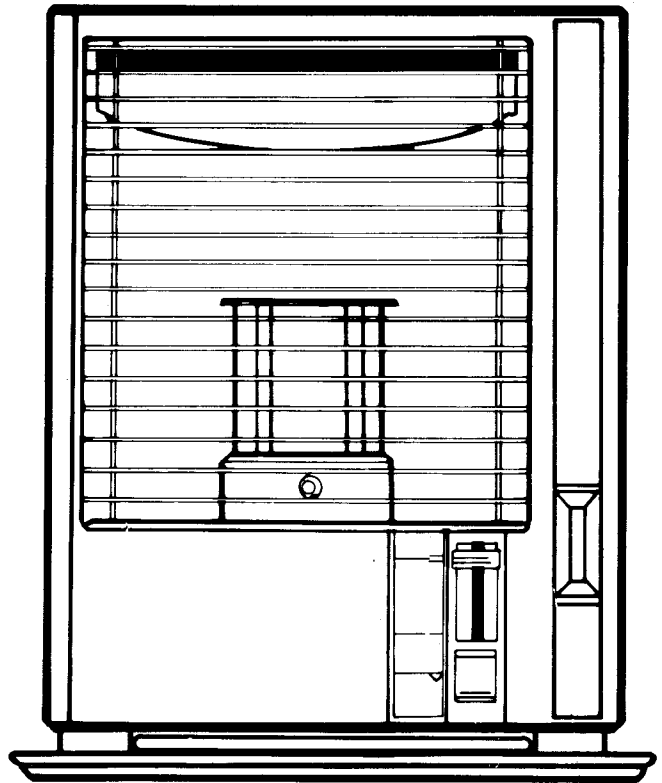


Aladdin®

PORTABLE KEROSENE HEATER

INSTRUCTION MANUAL

**MODEL TR2000/
TR3000**



IMPORTANT: READ CAREFULLY AND SAVE THIS INSTRUCTION MANUAL WHICH CONTAINS IMPORTANT SAFETY INSTRUCTIONS. TO BE USED ONLY IN ACCORDANCE WITH STATE AND/OR LOCAL REGULATIONS, ORDINANCES AND CODES.

Aladdin Enterprise Products, Inc. P.O. Box 101430, Nashville, TN 37210

ALADDIN® HEATER LIMITED WARRANTY

ALADDIN® portable kerosene heaters sold at retail in the United States are warranted to the original retail purchaser for a period of one year from the date of purchase to be free from any defects in material or workmanship and to be fit for normal use provided they are used and maintained according to the instructions furnished with each product. Under the terms of the warranty, your product will be repaired or replaced without charge when returned to an Authorized Service Center. For assistance in locating an Authorized Service Center near you, contact the store where you bought the heater or call toll free at 800-325-4828.

This warranty covers only the cost of parts and labor required to restore

the product to proper operating condition. Transportation and incidental costs associated with warranty repairs are not reimbursable under this warranty.

This warranty does not cover normal wear and tear on parts such as, but not limited to, wicks, batteries, glow plugs and siphon pumps.

These products are covered by no other express warranties. Any implied warranties are limited in duration to one year from the date of purchase. **THIS WARRANTY EXCLUDES ANY LIABILITY FOR INCIDENTAL OR CONSEQUENTIAL DAMAGES INCLUDING INJURY TO PERSONS OR PROPERTY.** Some states do not allow limitations on how long an implied warranty lasts, or con-

sequential damages so the above limitations and exclusions may not apply to you.

There is no warranty covering damages for use of any fuels other than 1-K kerosene or its equivalent, or for damages, or for failure to follow safety instructions for use and maintenance.

Any modification, repairs or changes excepting 1) repairs by an Authorized Service Center, 2) adjustments described in the owner's manual and 3) replacement of wicks, glow plugs, batteries, etc. as described in the owner's manual will void this warranty.

This warranty gives you specific legal rights and you may have other rights which vary from state to state.

HEATER SPECIFICATIONS

| | TR2000 | TR3000 |
|-------------------------|-----------------------------|-----------------------------|
| SPACE HEATED | Approx. 15' x 20' area | Approx. 19' x 20' area |
| HEAT OUTPUT | 8,500 BTU's per hour | 10,500 BTU's per hour |
| SYSTEM | Kerosene Wick System | Kerosene Wick System |
| TYPE | Radiant/Reflection | Radiant/Reflection |
| TANK CAPACITY | 0.8 gallons | 0.8 gallons |
| WICK | Fiberglass Part No. TR2020 | Fiberglass Part No. TR3020 |
| FUEL | ASTM 1-K Kerosene | ASTM 1-K Kerosene |
| FUEL CONSUMPTION | Approx. 0.50 pints per hour | Approx. 0.62 pints per hour |
| BURNING TIME | 12-13 hours per tank | 10-11 hours per tank |
| IGNITION SOURCE | "D" Batteries, two required | "D" Batteries, two required |
| SHUT-OFF DEVICE | Wick Drop System | Wick Drop System |
| SIZE | 17½ x 15¼ x 21 inches | 17½ x 15¼ x 21 inches |
| WEIGHT | 21 lbs. | 21 lbs. |
| MODEL NUMBER | TR2000 | TR3000 |

TABLE OF CONTENTS—TR2000/TR3000

| | |
|--|----|
| SAFETY INSTRUCTIONS | 2 |
| HOW TO UNPACK YOUR HEATER | 3 |
| INSTALLING THE BATTERIES | 4 |
| GUIDE TO FUEL SELECTION | 4 |
| FUELING/REFUELING | 5 |
| OPERATING INSTRUCTIONS | 5 |
| CARE OF THE IGNITION GLOW PLUG | 7 |
| IGNITION GLOW PLUG REPLACEMENT | 7 |
| GLOW PLUG ADJUSTMENT | 8 |
| REPLACEMENT OF GLASS CHIMNEY COLLAR | 8 |
| CARE OF THE WICK | 8 |
| WICK REPLACEMENT | 9 |
| STORAGE OF HEATER | 12 |
| TROUBLESHOOTING GUIDE | 13 |
| PARTS LIST FOR TR2000/TR3000 | 14 |
| WARNING MARKINGS | 15 |

SAFETY INSTRUCTIONS

IMPORTANT: READ AND UNDERSTAND THESE INSTRUCTIONS BEFORE OPERATING OR SERVICING THIS HEATER. RETAIN THESE INSTRUCTIONS FOR FURTHER REFERENCE.

SAFETY ALERT SYMBOL

This is the industry "Safety Alert Symbol." This symbol is used to call your attention to items or operations that could be dangerous to you or other persons using this equipment. Please read these messages carefully.

It is essential that you read the instructions and safety regulations before you attempt to assemble or use this unit.

There are two classes of hazards identified by the signal words DANGER, WARNING and CAUTION.

The classes of hazards are defined as follows:

DANGER - Immediate hazards which WILL result in severe personal injury or death.

WARNING - Hazards or unsafe practices which COULD result in personal injury

CAUTION or death.

Please note all the DANGER, WARNING and CAUTION statements on your heater and in this manual.

WARNING:

1. RISK OF EXPLOSION:

- NEVER** use any fuel other than No. 1-K kerosene. **NEVER** use gasoline. (See Fig. 1a)
- NEVER** refill heater fuel tank when heater is operating or still hot.
- NEVER** fill heater fuel tank in living space. Fill heater tank outdoors.
- NEVER** use heater in areas where flammable vapors or gases may be present. (See Fig. 1b)
- NEVER** store or transport kerosene in other than a metal container that is acceptable for kerosene, nonred in color, and clearly marked, "kerosene." Never store kerosene in the living space. (See Fig. 1c)

WARNING:

2. HEATER IS HOT WHILE IN OPERATION.

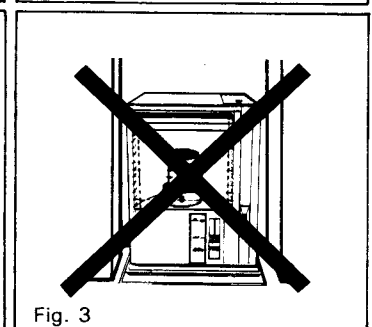
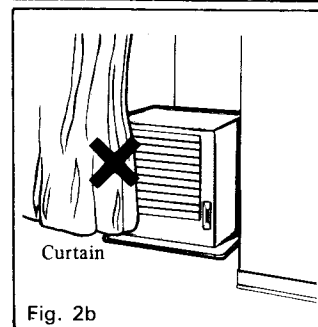
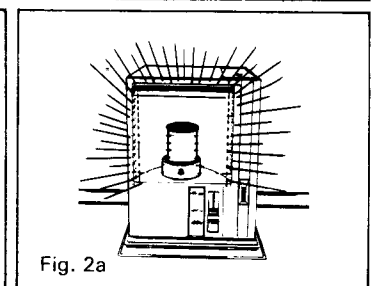
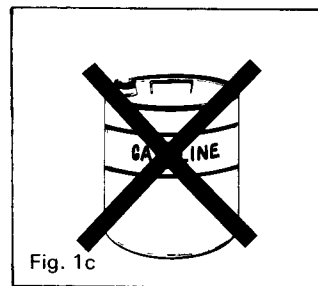
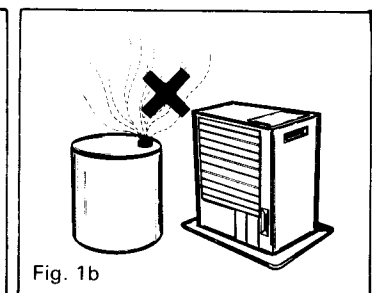
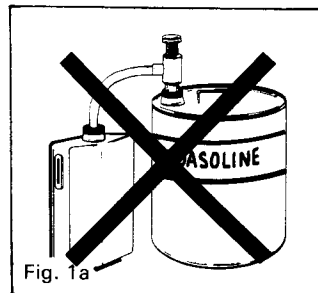
DUE TO HIGH SURFACE TEMPERATURES. KEEP CHILDREN, CLOTHING, AND FURNITURE AT LEAST THREE FEET AWAY FROM THE HEATER WHILE IN OPERATION. (See Fig. 2a, 2b)

WARNING:

3. RISK OF INDOOR AIR POLLUTION:

USE HEATER ONLY IN WELL-VENTILATED AREAS. (See Fig. 3) People with breathing problems should consult a physician before using the heater. In a house of typical construction, that is, one that is not of unusually tight construction due to heavy insulation and tight seals against air infiltration, an adequate supply of air for combustion and ventilation is provided through infiltration. However, if the heater is used in a small room where less than 200 cubic feet (5.7 m³) of air space is provided for each 1000 Btu per hour of heater rating (considering the maximum burner adjustment), the

door(s) to adjacent room(s) should be kept open or a window to the outside should be open at least 1 inch (25.4 mm) to guard against potential buildup of indoor air pollution. Do not use the heater in a bathroom or any other small room with the door closed.



SAFETY INSTRUCTIONS

WARNING:

- Do not place anything on top of the heater. Do not attempt to use the heater for cooking or warming foods. Do not hang clothes near or directly over the unit.
- Use only uncontaminated, water clear kerosene such as ASTM 1-K. Do not use diesel fuel or fuel oil. NEVER USE GASOLINE, NAPHTHA, PAINT THINNER, ALCOHOL, OR OTHER VOLATILE FUELS.

WARNING:

- NEVER USE CONTAINERS HAVING RESIDUE FROM THESE OTHER FUELS. SMALL AMOUNTS OF OTHER VOLATILE FUELS SUCH AS GASOLINE DANGEROUSLY INCREASE THE FLAMMABILITY AND RISK OF FIRE.
- Do not move, handle, service, or refuel heater while it is operating or is still hot. (See Fig. 4b) **NEVER** remove cartridge tank while heater is operating or is still hot. Allow heater to cool before removing cartridge tank.
 - Do not smoke when refueling the heater. Do not expose the fuel to any open flame or high temperatures. Take precautions to prevent spilling. Wipe up spills immediately. Close the filler cap tightly to prevent leaking of fumes which can cause unpleasant odor.
 - NEVER** leave the heater unattended while in use. Always extinguish the heater before sleeping or leaving the room. (See Fig. 4c)
 - Use your heater on a level surface. (See Fig. 4d)
 - Do not place the heater in high traffic areas such as doorways or hallways. (See Fig. 4e)
 - Do not place your heater in windy or drafty locations. Drafts may cause poor heater combustion resulting in soot and odors.
 - NEVER** use heater in a moving vehicle. Motion can cause fuel spillage and increase risk of fire. Do not transport heater in a vehicle without first emptying fuel tank or fuel spillage will result.
 - If the heater must be disassembled for any reason (such as wick changing or cleaning heater) test it in a safe open area after reassembling to insure proper operation.
 - NEVER** attempt to repair or patch a damaged fuel tank. A damaged fuel tank must be replaced.
 - If you suspect that the heater is not working properly, extinguish it immediately by pushing the shut-off button and consult trouble-shooting guide or service center. (See Fig. 4f)

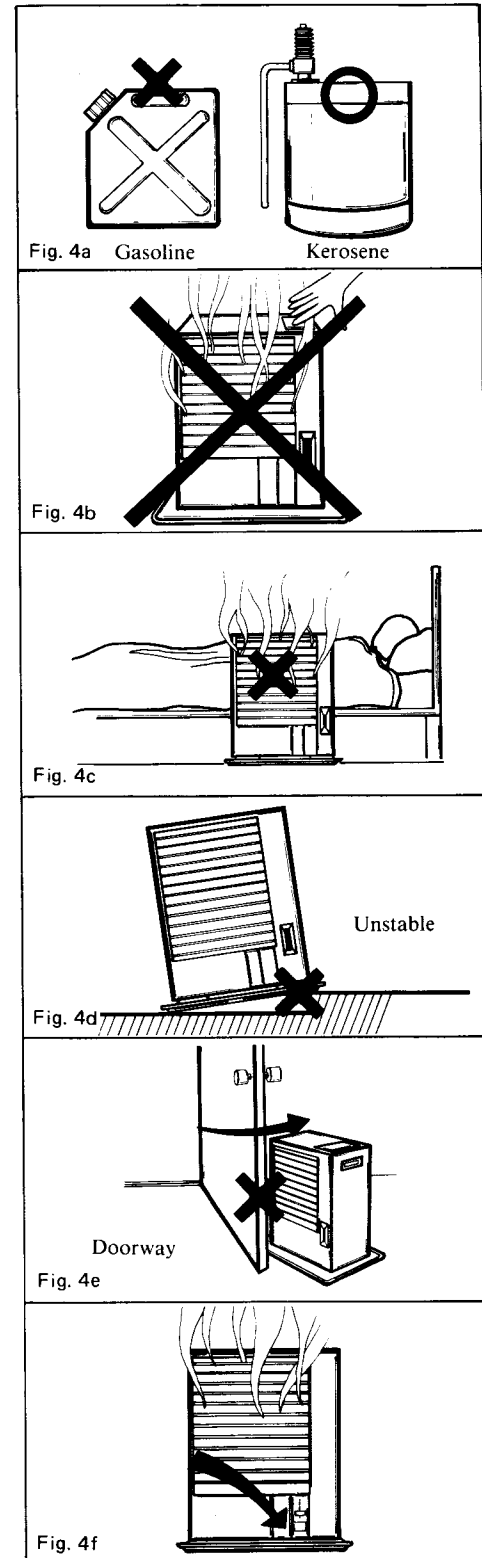


Fig. 4a Gasoline Kerosene

Fig. 4b

Fig. 4c

Fig. 4d

Fig. 4e

Fig. 4f

HOW TO UNPACK YOUR HEATER

- Remove the two batteries and siphon pump from the carton.
- Carefully lift heater from carton and remove all external packing materials.
- Remove all tape from grill and safety bar.

IMPORTANT: READ THE FOLLOWING INSTRUCTIONS CAREFULLY BEFORE ATTEMPTING TO OPEN THE GRILL.

NOTE: GRILL ONLY OPENS HALF WAY. DO NOT FORCE OPEN ANY FARTHER.

IMPORTANT: BEFORE USING HEATER MAKE SURE GRILL IS SECURELY LATCHED.

To open grill, grasp lower right hand corner of grill with left hand. Raise the right side of the grill until lower bar is released. It may be necessary to simultaneously press down on the horizontal reflector while lifting the grill in order to release the lower bar. While lifted, pull bottom of grill forward slightly so that bottom bar clears the reflector, and then lower to release top bar, taking care not to scratch the front panel. Swing grill open gently (See Fig. 5a).

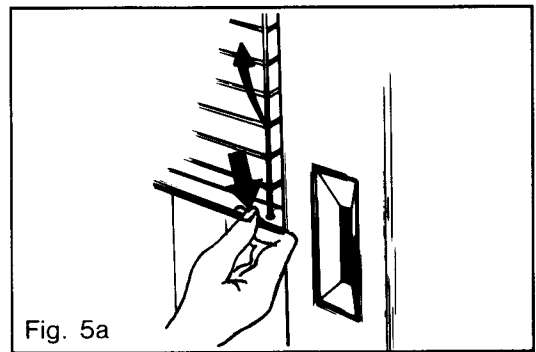


Fig. 5a

4. Remove the corrugated paper wrapping the burner and the foam pad under the burner and the foam pad on the each side of the vertical reflector (See Fig. 5b).
5. Make certain the wick is completely lowered by depressing the "SHUT-OFF" button.
6. Remove tank and remove all packing materials from the tank and tank compartment.
7. Place the burner back on outer wick guide.
8. A small screwdriver has been packed on the top of external packing materials, for use when the wick requires replacement (See page 9). Please save this screwdriver for future use.

NOTE: YOU MAY WISH TO SAVE THE CARTON AND INNER PACKING MATERIAL FOR STORING YOUR HEATER DURING OFF SEASONS.

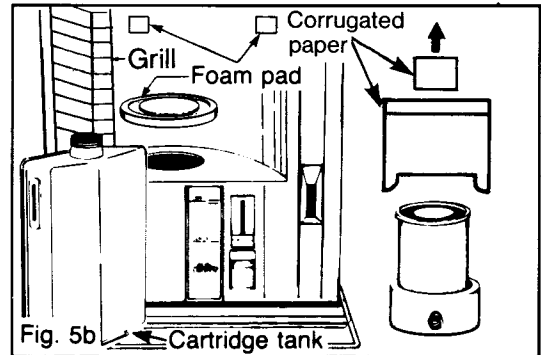


Fig. 5b

INSTALLING THE BATTERIES

The battery case is located in the back of the heater. Install the two batteries, being sure to position them as indicated on the battery case.

GUIDE TO FUEL SELECTION

Use only PURE CLEAN, WATER-CLEAR KEROSENE, such as ASTM 1-K. Do not use diesel fuel, fuel, oil, or heating oil. The proper operation of your heater depends on the correct fuel. Purchase your kerosene from a reliable, reputable source and always check that the kerosene meets the requirements of your heater.

1. Use of inferior kerosene (deteriorated or impure) will cause severe damage within 1 to 30 days. Depending on the specific impurity or contamination, any of the following symptoms may occur:

- A. Plugged wick—low flame level, insufficient heat—Chimney does not glow properly or heater burns only a few minutes.
- B. STRONG odor.
- C. Tar or carbon buildup on wick which, if extreme, can make wick lowering difficult.

2. Determination of impure or deteriorated kerosene:

DETERIORATION

- A. Badly deteriorated kerosene is yellow and has a sour smell. Good quality kerosene is as clear as tap-water.
- B. Kerosene stored for extended periods of time becomes deteriorated.
Use fresh kerosene only. Kerosene stored in plastic containers may deteriorate in 1-2 weeks.
- C. Kerosene stored in direct sunlight, high temperatures, or open containers deteriorates rapidly.

IMPURITIES

- A. Kerosene with even very small amounts of water or dirt content.
- B. Kerosene mixed with even very small amounts of other oils such as machine oil, vegetable oil, or lubricating oil.
- C. Use of containers which have previously been used to store other oils or fuels or pumps which have been used for other fuels will contaminate kerosene.

WARNING:

NEVER USE CONTAINERS HAVING RESIDUAL AMOUNTS OF VOLATILE FUELS SUCH AS GASOLINE, BECAUSE OF DANGEROUSLY INCREASED FLAMMABILITY AND RISK OF FIRE!!

- D. Always rinse the interior of old kerosene containers with clean kerosene several times, prior to use.

3. What to do if impure or deteriorated kerosene is used:

- A. Drain old kerosene from fuel tank and reservoir. Rinse with clean kerosene several times. (If any of the impure kerosene remains the trouble may recur.)
- B. Fill heater with clean, fresh kerosene.
- C. Clean the wick as per instructions under "Care of the Wick."
- D. If the wick still does not function properly after cleaning, the wick must be replaced to obtain proper heating. (See instructions under "Replacement of Wick.")

FUELING/REFUELING

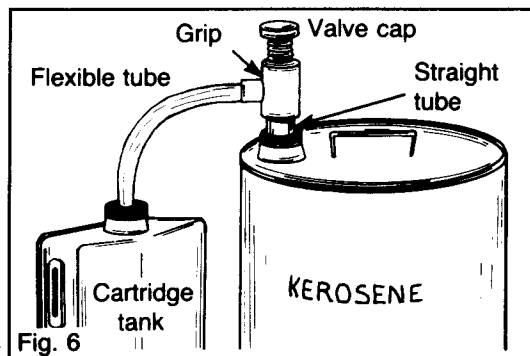
Use only a good grade of clean, fresh kerosene in your heater (See "Guide to Fuel Selection").

WARNING: DO NOT ATTEMPT TO USE GASOLINE, ALCOHOL, PAINT THINNER OR OTHER VOLATILE FUELS.

WARNING: NEVER ATTEMPT TO REFUEL YOUR HEATER IF IT IS HOT OR WHILE IT IS IN OPERATION. ALWAYS SHUT OFF THE HEATER AND ALLOW IT TO COOL BEFORE REFUELING.

CAUTION: TO AVOID SPILLS AND TO PREVENT OBJECTIONABLE KEROSENE ODORS IN THE LIVING AREA, ALWAYS REFUEL THIS HEATER IN AN OUTSIDE AREA WITH THE AID OF A SIPHON PUMP.

1. Lift tank cover and remove the cartridge tank.
2. Set the tank down in safe location outside the home, with the tank cap pointing up. Remove the tank cap.
3. Use the enclosed siphon pump for refueling.

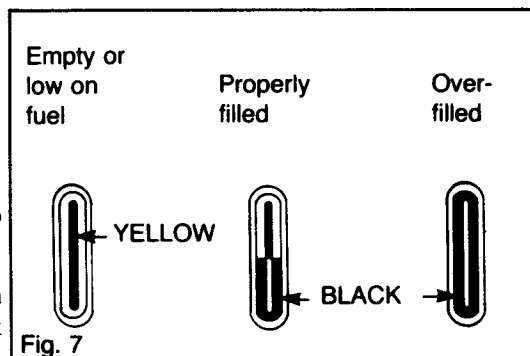


PROCEDURES FOR USING THE SIPHON PUMP (See Fig. 6)

- A. Insert the straight tube in the kerosene container.
- B. Insert the flexible tube into the fill hole of cartridge tank.
- C. Tighten the valve cap on top of the grip.
- D. Pump fuel into the cartridge tank by repeatedly squeezing the grip.
- E. Stop pumping fuel and open the valve cap on the grip when the fuel lever reaches the center of the fuel gauge (See Fig. 7).

CAUTION: TO ALLOW FOR FUEL EXPANSION AND TO PREVENT SPILLAGE, NEVER OVERFILL THE TANK.

4. Replace tank cap securely. Wipe up any spilled kerosene and wipe off the outside of the tank.
5. Return the tank to the heater.
6. When using the heater for the first time or after cleaning or replacing the wick, wait at least 30 minutes before lighting. This is necessary to allow the wick to absorb sufficient kerosene to function properly.
7. The fuel gauge is visible through a window in the front of the cabinet. When the top half of the fuel gauge turns yellow, the fuel level is low and the tank should be refilled.



OPERATING INSTRUCTIONS

1. INSURE THAT HEATER IS SITTING ON A LEVEL SURFACE:

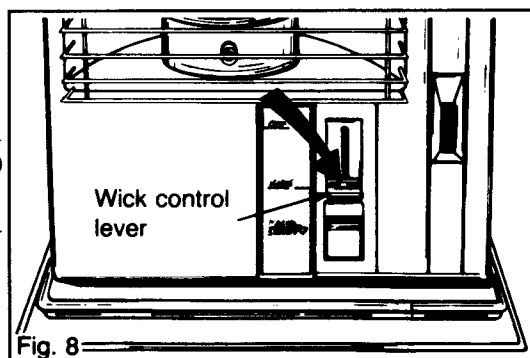
The heater will not function unless the heater is sitting flat on a level surface.

NOTE: WHEN USING THIS HEATER FOR THE FIRST TIME, OR AFTER REPLACING THE WICK, WAIT AT LEAST 30 MINUTES AFTER ADDING FUEL BEFORE LIGHTING. THE WAIT IS NECESSARY TO ALLOW THE WICK TO BECOME THOROUGHLY SOAKED.

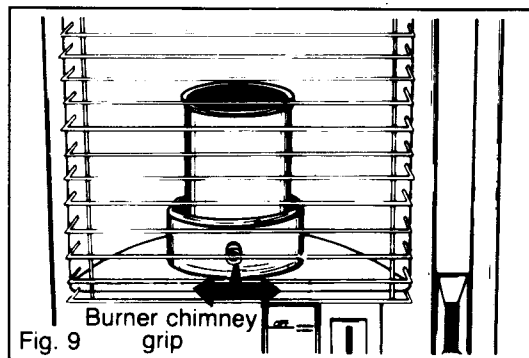
CAUTION: READ ALL OF STEP 2 BEFORE ATTEMPTING TO LIGHT THE HEATER.

2. LIGHT THE HEATER WITH THE WICK CONTROL LEVER

- A. Depress the wick control lever to IGNITE position (See Fig. 8).



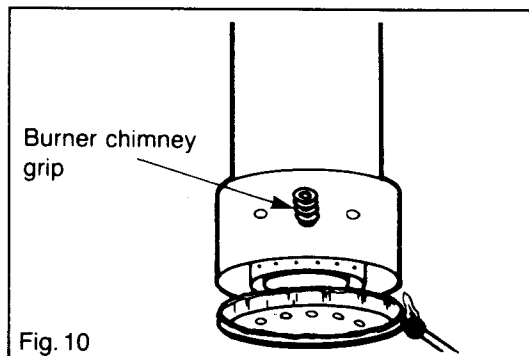
- B. When the wick ignites, IMMEDIATELY release the wick control lever.
- C. Insure that the burner chimney is seated properly. Grab the burner chimney by the grip and lightly shake it right and left a few times (See Fig. 9).



3. LIGHT THE WICK MANUALLY

Open the grill. Depress the wick control lever to ignite position and lift the burner chimney by the grip with one hand. Use the other hand to ignite the wick with a match (See Fig.10). Do not drop match into the heater.

Grab the burner chimney by the grip and lightly shake it right and left a few times. If glow plug filament is bent or broken, or batteries are dead, replace with new ones and light the heater with the wick control lever.



4. ADJUST THE FLAME

Grab the burner chimney by the grip and lightly shake it right and left a few times.

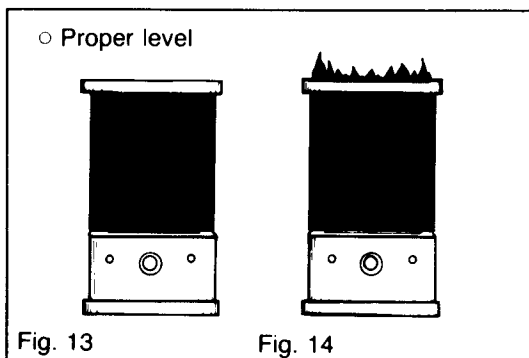
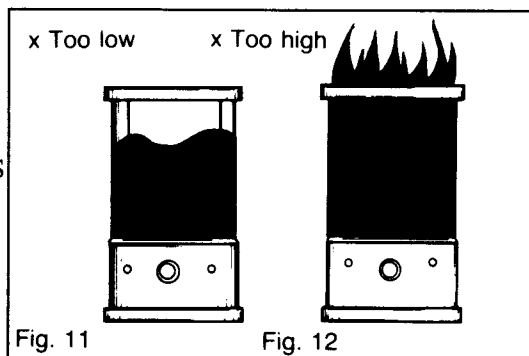
NOTE: DURING OPERATION THE BURNER CHIMNEY GRIP GETS HOT. ADJUST CAREFULLY.

Proper wick adjustment is determined by burner chimney appearance (See Fig. 11 through Fig. 14). Wick damage and indoor air pollution can occur if the wick is adjusted too low. Odor can occur if the wick is adjusted too high or too low.

If room temperature becomes too hot, either turn off the heater for a while, or increase ventilation.

CAUTION: THE WICK CONTROL LEVER IS DESIGNED TO BE ADJUSTED ONLY WITHIN A LIMITED RANGE. ADJUST THE WICK CONTROL LEVER GENTLY AND SLOWLY WITHIN A LIMITED RANGE. DO NOT FORCE THE LEVER BEYOND THIS RANGE OR DAMAGE TO THE HEATER MAY RESULT. IF ROOM TEMPERATURE BECOMES TOO HOT, EITHER TURN OFF THE HEATER FOR A WHILE, OR INCREASE AIR VENTILATION.

(It is not abnormal for a blue flame to appear some 2 or 3 cm (1/8 inches) above the top of the burner chimney.)



5. EXTINGUISH THE HEATER AFTER USE:

Depress the "SHUT-OFF" button. The wick control lever should automatically return to the "OFF" position (See Fig.15).

Do not try to extinguish the heater by raising the wick control lever.

Forcing the lever could damage the heater.

Do not try to extinguish the heater by jarring it.

Always make sure the heater is extinguished before leaving it unattended or before sleeping.

If the heater is re-ignited immediately after it has been extinguished, the burner chimney will become hot and give off an odor. It is advisable to wait for about 5 minutes after extinguishing the heater in order to allow the burner chimney to cool down, and then to re-ignite it.

NOTE: IF THE HEATER DOES NOT EXTINGUISH AFTER PRESSING THE "SHUT-OFF" BUTTON, THE WICK MAY BE LOWERED BY PRESSING THE "SHUT-OFF" BUTTON WHILE SIMULTANEOUSLY RAISING THE WICK CONTROL LEVER.

THESE TWO OPERATIONS MUST BE DONE SIMULTANEOUSLY TO AVOID DAMAGE TO THE HEATER.

IMPORTANT: IF THE ABOVE METHOD MUST BE USED TO EXTINGUISH THE HEATER, TAKE IT TO THE NEAREST AUTHORIZED SERVICE CENTER FOR SERVICING BEFORE ATTEMPTING TO USE THE HEATER.

AFTER DEPRESSING THE "SHUT-OFF" BUTTON, ALWAYS MAKE SURE THE WICK CONTROL LEVER IS IN THE "OFF" POSITION AND THE FLAME IS COMPLETELY OUT. IF THE HEATER IS EXTINGUISHED WITH THE CARTRIDGE TANK REMOVED OR EMPTY, IT WILL TAKE LONGER FOR THE HEATER TO EXTINGUISH. THE CARTRIDGE TANK SHOULD ALWAYS BE FILLED BEFORE IT RUNS OUT OF FUEL UNLESS THE WICK IS BEING CLEANED (SEE "CARE OF THE WICK").

CARE OF THE IGNITION GLOW PLUG

If the heater will not ignite automatically, check the following items:

1. Does the filament glow when wick control lever is depressed? If not, check batteries and ignition wires.
If the filament is in good condition, but does not glow red or is only slightly red, replace the batteries.
2. Is filament deformed? If slightly bent, it may be possible to repair with a match or toothpick. If badly bent, glow plug must be replaced. (See Fig. 16.)
3. If heater is still difficult to ignite, see instruction numbers 1-3 in Ignition Glow Plug Adjustment section to adjust the glow plug.

IGNITION GLOW PLUG REPLACEMENT

1. Remove grill and burner chimney.
2. Remove old glow plug by tilting slightly inward and pulling upward (See Fig. 17).

IMPORTANT: THE GLOW PLUG IS EASILY DAMAGED. FOLLOW INSTRUCTIONS CAREFULLY.

3. The glow plug must be turned so the two wire glow plug terminals are oriented toward the right (See Fig. 18).
4. Insert new glow plug into slot.

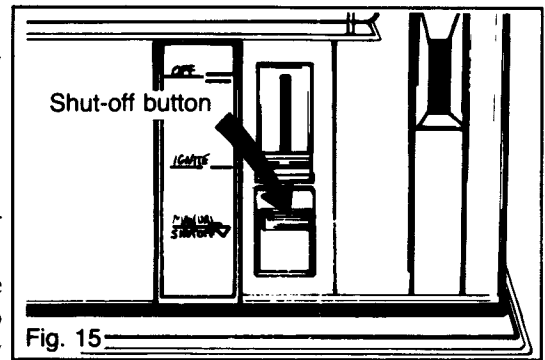


Fig. 15

Simply press the shut-off button

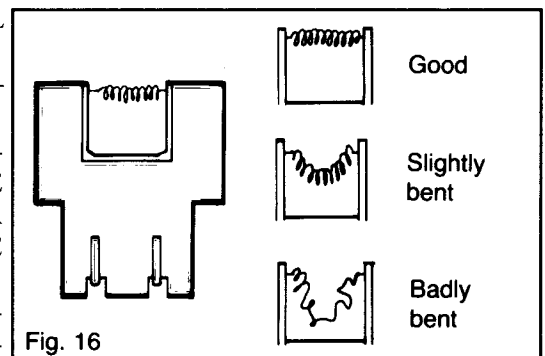


Fig. 16

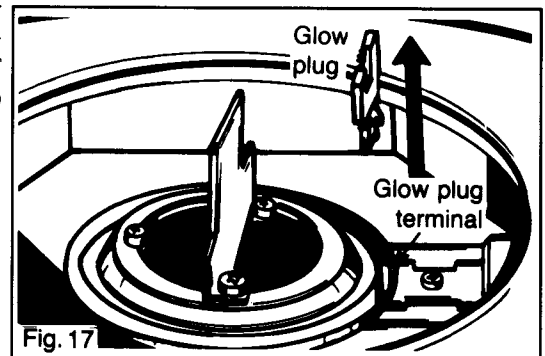


Fig. 17

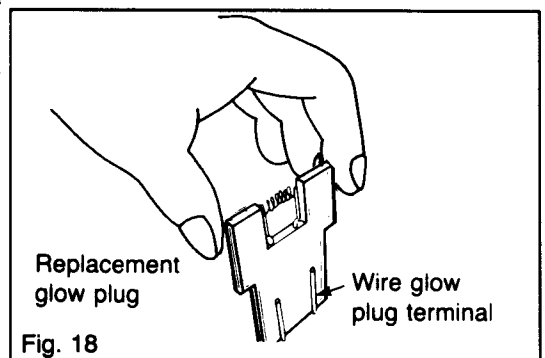
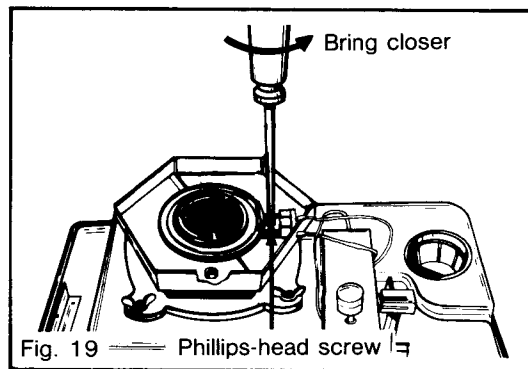


Fig. 18

IGNITION GLOW PLUG ADJUSTMENT

If the wick does not ignite when the wick control lever is depressed, it is possible that the glow plug needs to be adjusted.

1. Before adjusting the glow plug, be sure the batteries are installed and the wick is properly soaked with kerosene.
2. The distance between the glow plug and the wick is adjusted by the small Phillips head screw next to the glow plug. Turning the screw clockwise moves the glow plug away from the wick and counterclockwise moves the glow plug closer to the wick. (See Fig. 19.)
3. The glow plug should be positioned so that the distance between the glow plug filament and the wick is approximately 1mm (1/32 in.). If the glow plug is touching the wick, the filament will be damaged. If the glow plug is too far from the wick, the wick will not ignite.

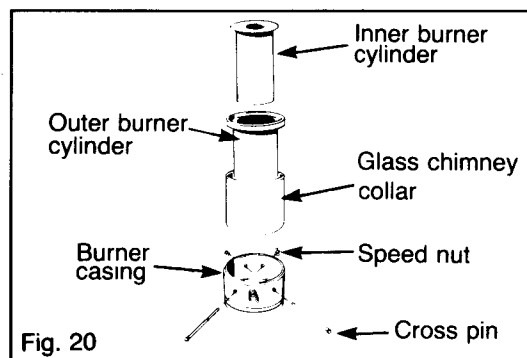


REPLACEMENT GLASS CHIMNEY COLLAR

WARNING:

ALLOW BURNER CHIMNEY TO COOL BEFORE ATTEMPTING TO HANDLE IT WITH BARE HANDS.

1. Remove burner chimney.
2. Remove speed nuts from fixing cross pins.
3. Pull out cross pins.
4. Replace glass chimney collar.
5. Reassemble making sure that inner and outer burner cylinders are correctly positioned (See Fig. 20).



CARE OF THE WICK

The wick used in this heater is made of heat resistant fiberglass, which does not burn, and should last for a long time with proper care.

Taking care of the wick will insure your getting the maximum pleasure and efficiency from your heater, and will help you to avoid the expense of replacing the wick.

BURN THE WICK OFF TO REMOVE ANY ACCUMULATION OF TAR AND CARBON ON THE TOP OF THE WICK ONCE A WEEK OR WHENEVER:

- The wick becomes difficult to raise or lower.
- Burner chimney will not glow red.
- Heater is difficult to ignite.
- Preparing to store the heater.

1. Remove the cartridge tank and operate the heater without refueling it.
2. Ignite heater and leave wick control lever in lowest position.
3. Allow the heater to continue burning until it goes out completely and any flame on the wick has extinguished itself.

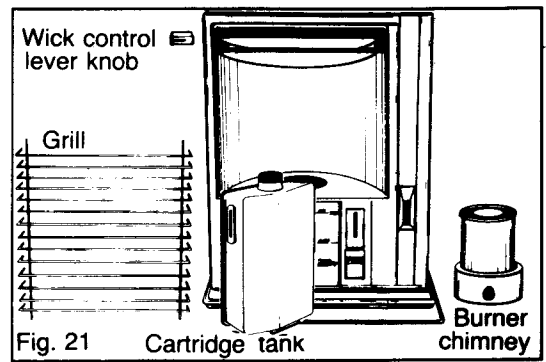
NOTE: WHEN PERFORMING STEPS 4 AND 5 BE CAREFUL NOT TO DAMAGE IGNITOR.

4. After the heater has cooled completely, remove the burner chimney and carefully remove loosened tar and carbon from the wick with a brush or cloth.
5. Carefully remove any accumulated carbon deposits from the breathing disc and outer wick guide assembly using a screwdriver or similar tool. Take care not to damage the wick or burner chimney assembly.
6. Depress the "SHUT-OFF" button to lower the wick, and replace the burner chimney.
7. After filling the fuel tank, wait at least 30 minutes before lighting to allow the wick to absorb sufficient kerosene.
8. If the heater will not ignite, see instructions under "IGNITION GLOW PLUG ADJUSTMENT."

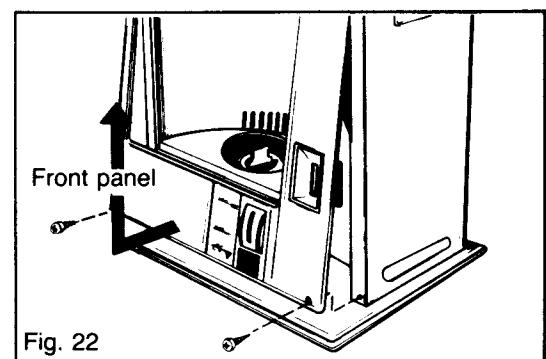
IMPORTANT: DO NOT CUT THE TOP OF THE WICK OR DAMAGE IT IN ANY WAY.

WICK REPLACEMENT

1. First press the shut-off button to lower wick. Remove the cartridge tank and grill. Pull off the wick control lever knob and remove the burner chimney (See Fig. 21).

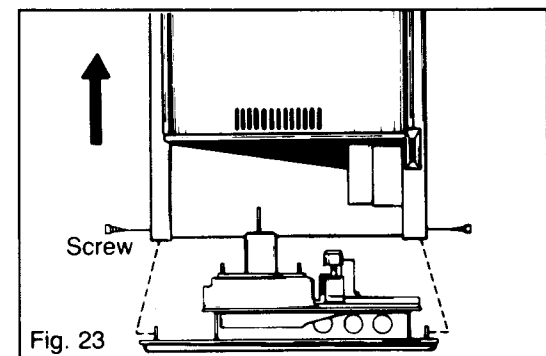


2. Remove two front panel screws. Remove the front panel. Swing the panel away from the bottom of the cabinet and lift it straight up (See Fig. 22).

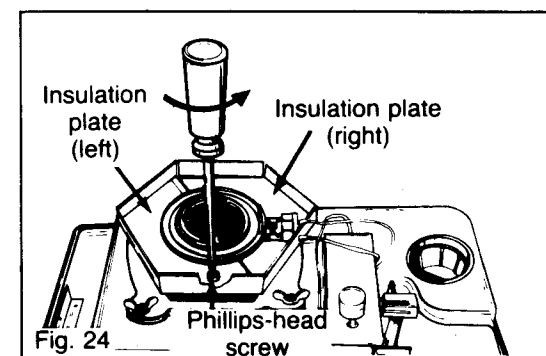


3. Remove cabinet screws on each side of heater and lift off cabinet (See Fig. 23).

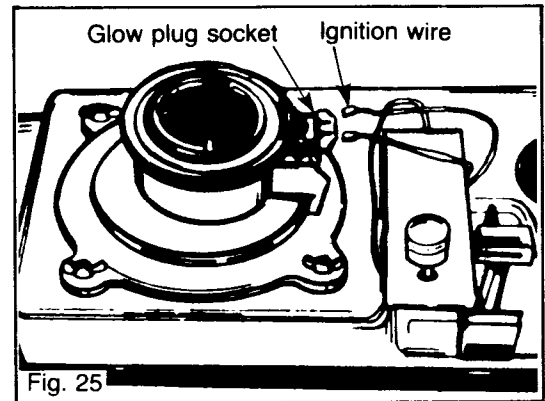
NOTE: A SCREWDRIVER WAS FURNISHED WITH THE HEATER TO AID IN PERFORMING THE FOLLOWING STEPS. HOWEVER, A SMALL PHILLIPS-HEAD SCREWDRIVER MAY BE USED.



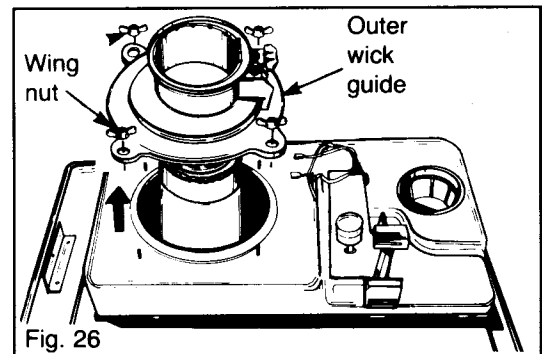
4. First remove left insulation plate, then slide right insulation plate past igniter assembly (See Fig. 24).



5. Remove the ignition wires from the glow plug (See Fig. 25).

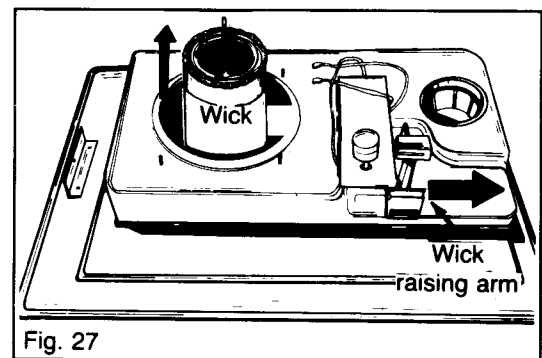


6. Remove the four wing nuts that secure the outer wick guide (See Fig. 26).
If the wing nuts are tight, use a pair of small pliers to loosen them.
7. Remove outer wick guide assembly.

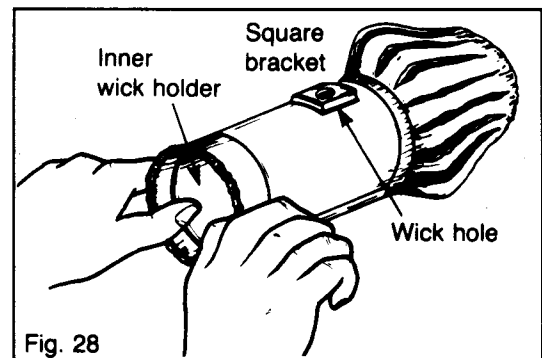


8. Pull wick raising arm (See Fig. 33) to right and hold while lifting wick off inner wick cylinder (See Fig. 27).

NOTE: INNER WICK HOLDER MUST BE REMOVED FROM OLD WICK AND INSTALLED IN NEW WICK. DO NOT DISCARD INNER WICK HOLDER!

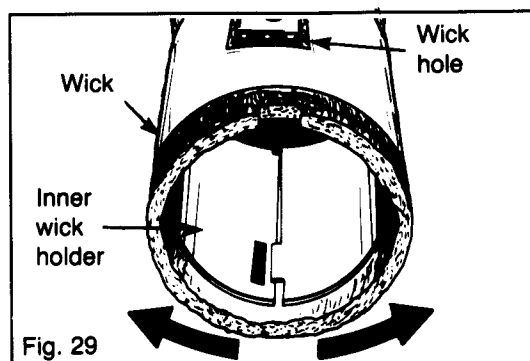


9. Grasp old wick and inner wick holder as shown in Figure 28.

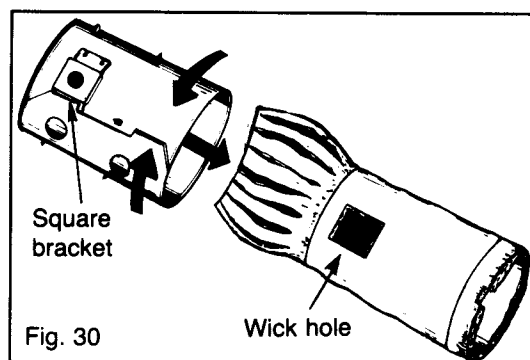


10. Stretch inner wick holder to release tab at top of wick. Repeat process for lower tab. Compress inner wick holder slightly and remove from old wick. Read steps 11 to 14 before proceeding.

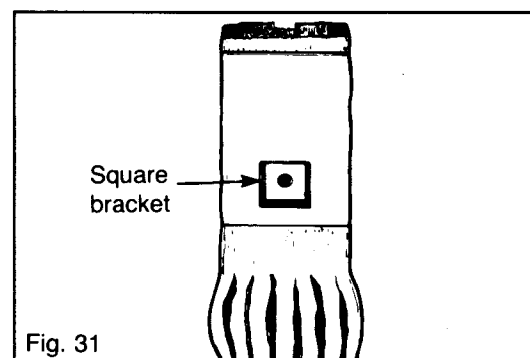
NOTE: USE ONLY A GENUINE ALADDIN REPLACEMENT WICK. SEE PAGE 1, FOR SPECIFICATIONS AND PART NUMBER.



11. Compress the inner wick holder and insert into new wick. Be sure the square bracket is toward the bottom of the wick (See Fig. 30).



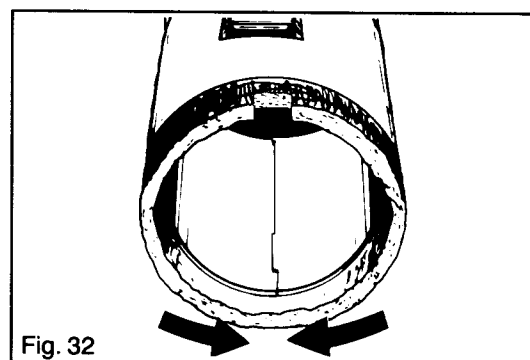
12. Center bracket of inner wick holder in hole of wick. Be sure upper edge of bracket is lined up with upper edge of wick hole (See Fig. 31).
13. Press teeth on both sides of bracket firmly into wick.



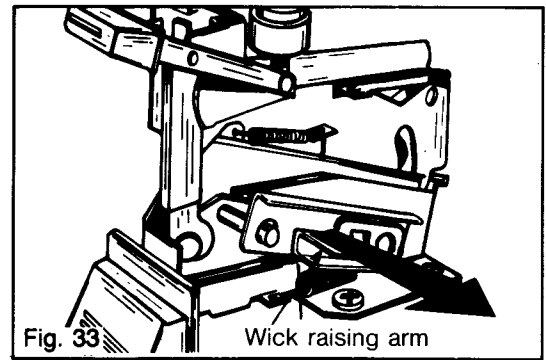
14. Stretch inner wick holder to reinsert tabs. Be careful not to tear wick (See Fig. 32).

NOTE: BE SURE BOTH TABS OF INNER WICK HOLDER ARE INSERTED IN SLOTS.

IMPORTANT: IF SQUARE BRACKET IS NOT CENTERED IN WICK HOLE, THE IGNITOR MAY BE DAMAGED AND WICK LIFE SHORTENED.

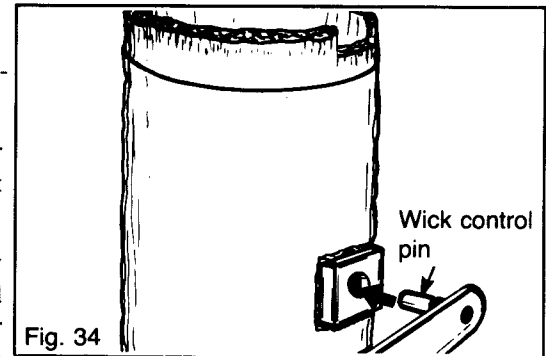


- Slide wick raising arm to right and hold while lowering wick over inner wick cylinder (See Fig. 33).



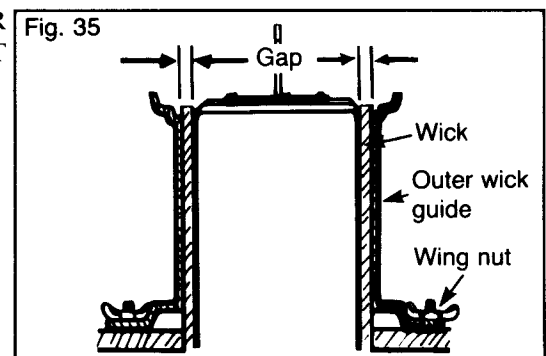
NOTE: SQUARE BRACKET MUST LINE UP WITH WICK CONTROL PIN.

- When wick control pin is inserted into hole in square bracket, raise and lower wick several times to be sure wick control pin is properly seated and that wick moves up and down smoothly (See Fig. 34).
- Replace outer wick guide and secure with wing nuts. Tighten diagonally opposite nuts together to assure that the gap is uniform between the inner and outer wick guides (See Fig. 35). The wick height between wick top and lower flange of breathing disc should be 10 mm (13/32"). If it is over 11 mm (7/16") remove wick and repeat above procedure. (See Fig. 36.)



IMPORTANT: IF THE WICK DOES NOT RAISE AND LOWER SMOOTHLY, REMOVE THE WICK AND REPEAT THE ABOVE PROCEDURE.

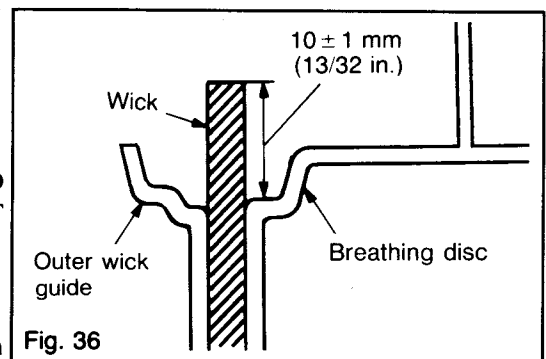
- Reattach ignition wires to glow plug.
- Replace insulation plates. Be sure catch is engaged and plates are secured with small screw.
- Reassemble cabinet and grill.
- Replace burner chimney and cartridge tank.
- Wait at least 30 minutes before igniting the heater to allow the wick to absorb sufficient kerosene.
- If the heater will not ignite, see instructions under "IGNITION GLOW PLUG ADJUSTMENT."



STORAGE OF HEATER

USE THE FOLLOWING PROCEDURES WHENEVER YOU ARE GOING TO STORE THE HEATER FOR AN EXTENDED TIME, SUCH AS DURING OUT OF SEASON.

- Wash inside of cartridge tank with clean, fresh kerosene and empty completely.
- Follow wick cleaning procedure and remove as much fuel as possible from the fuel reservoir. See instructions under "CARE OF THE WICK."
- Remove cabinet from heater by following steps 1-3 of the wick replacement procedure and clean the heater thoroughly with a soft cloth.
- After cleaning, reassemble heater and remove batteries from battery case.
- Heater should be stored with wick lowered to the "OFF" position by pressing shut-off button. Wrap heater in polyethylene bag and store in the original carton.
- SAVE THIS INSTRUCTION MANUAL FOR FUTURE REFERENCE.



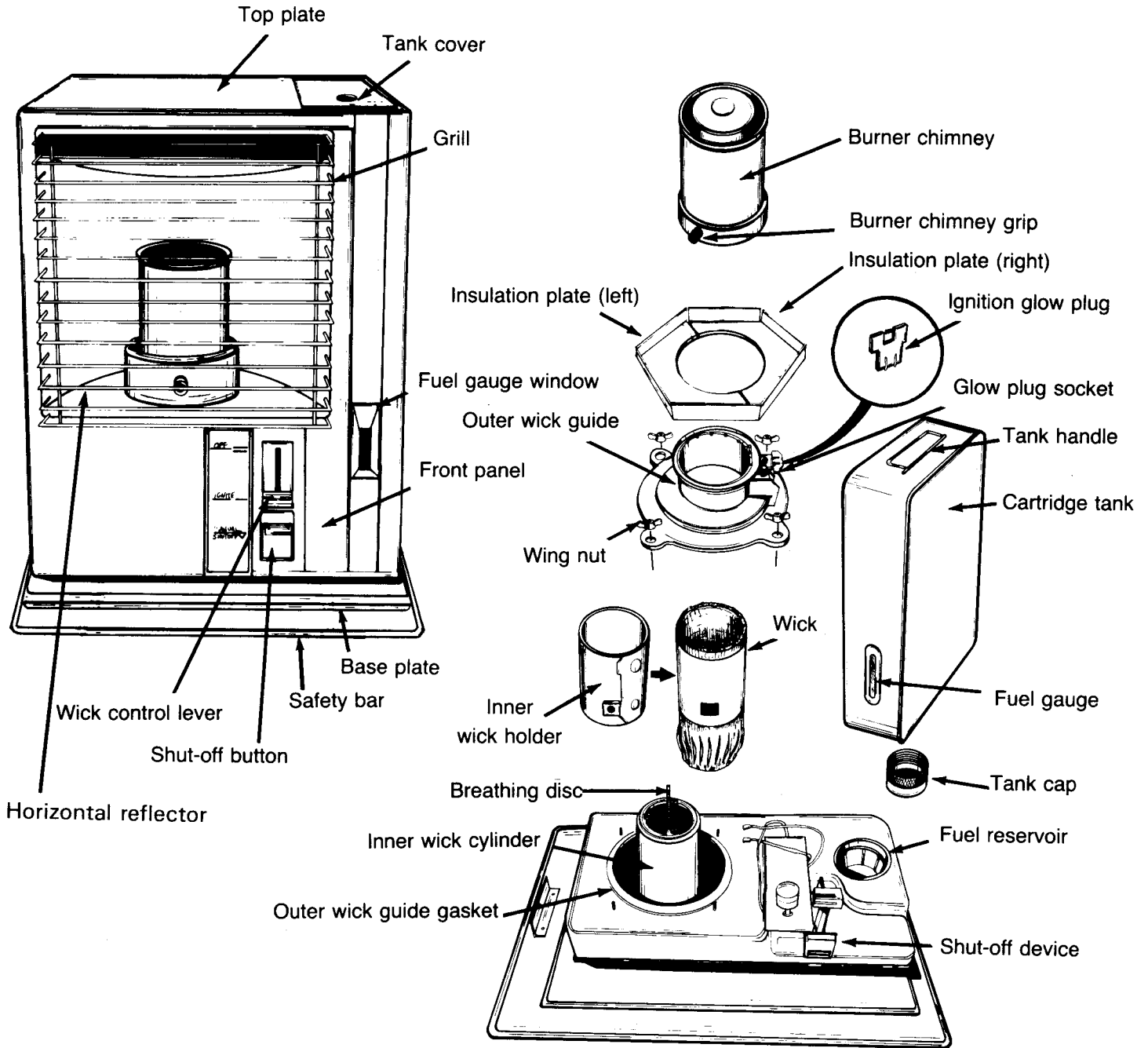
TROUBLESHOOTING GUIDE

(○: COLUMNS APPLICABLE ⊙: COLUMNS HAVE AN IMPORTANT EFFECT)

| Problem | Heater lights but goes out after short time. | Smoke and soot are produced with red flame appearing above burner. | Wick can't be lowered. Heater cannot be extinguished. | Strong odor. | Burner chimney does not have uniform red color. | Wick is not lowered by shut-off button. | Burner chimney does not become red at all. | Difficult to raise and lower wick. | Heater slow to warm up. | Can't ignite or hard to ignite heater. | Solution |
|---|--|--|---|--------------|---|---|--|------------------------------------|-------------------------|--|---|
| Batteries are dead. | | | | | | | | | | ⊙ | Replace both batteries with new ones. |
| Damaged ignition glow plug. | | | | | | | | | | ⊙ | Replace the ignition glow plug. |
| Improper glow plug adjustment. | | | | | | | | | | ⊙ | Adjust glow plug. See Manual. |
| lack or shortage of kerosene in cartridge tank. | ⊙ | | | ○ | ○ | | ○ | | ○ | ○ | Refuel heater. |
| Water in cartridge tank/fuel reservoir. | ⊙ | | | ○ | ○ | ⊙ | ⊙ | ⊙ | ○ | ○ | Completely empty cartridge tank/fuel reservoir. Replace wick. |
| Inferior or contaminated fuel. | ⊙ | ○ | ○ | ⊙ | ○ | ⊙ | ⊙ | ⊙ | ⊙ | ⊙ | Change the bad kerosene in cartridge tank and fuel reservoir with pure kerosene and replace wick. |
| Heater in drafty location. | | ⊙ | | ○ | ○ | | | | | | Move heater to location where there are no drafts. |
| Use of heater in a tightly closed room for extended period without ventilation. | | | | ⊙ | | | | | | | Ventilate the area adequately. |
| Wick needs cleaning. | ⊙ | | ⊙ | ○ | ○ | ⊙ | ○ | ⊙ | ⊙ | ○ | Follow wick cleaning procedure in instruction manual. |
| Wick raised too high or installed too high in wick holder. | | ⊙ | | ○ | | | | | | | Adjust wick down. If necessary reinstall wick at a lower position in wick holder. |
| The upper edge of wick is uneven. | | ○ | | ○ | ⊙ | ○ | | | | | Refit wick correctly to the wick holder per wick replacement procedure in manual. |
| Tip of wick is stiff and black with carbon buildup. | ○ | | ○ | ○ | ○ | ⊙ | ⊙ | ⊙ | ⊙ | ⊙ | Follow wick cleaning procedure in instruction manual. |
| Wick has not absorbed enough kerosene. | ○ | | | ○ | ○ | | ○ | | ○ | ⊙ | Wait at least 30 minutes after refueling before lighting heater. |
| Outer wick guide is pinching wick on one side. | | | ○ | | ⊙ | ⊙ | | ⊙ | | | Reinstall outer wick guide so that space between outer wick guide and inner wick cylinder is uniform at all points. |
| Wick raising and lowering mechanism is defective. | | | ⊙ | | | ⊙ | | ⊙ | | | Repair/replace mechanism. |
| The bottom of burner chimney is not correctly seated. | | ⊙ | | ⊙ | ○ | | | | | | Move burner chimney grip right and left to make sure burner chimney is correctly seated. Check for and remove tar buildup on outer wick guide below burner chimney. |

From time to time while the heater is in operation or after it is extinguished, it will produce a gurgling sound. This sound is caused when the fuel flows from the cartridge tank to the fuel reservoir, and is completely normal, and no cause for concern.

PARTS LIST FOR TR2000/TR3000



WARNING MARKINGS

1 **⚠ CAUTION**
IMPROPER FUEL MAY CAUSE POLLUTION AND SOOTING OF THE BURNER. USE ONLY WATER-CLEAR NO. 1-K KEROSENE.

2 **⚠ CAUTION**
RISK OF FIRE. DO NOT REMOVE FUEL TANK WHEN HEATER IS OPERATING OR WHEN HEATER IS HOT.

3 **CAUTION**
HOT WHILE IN OPERATION. DO NOT TOUCH. KEEP CHILDREN, COLTHING AND FURNITURE AWAY.

4 **CAUTION**
RISK OF INDOOR AIR POLLUTION. USE THIS HEATER ONLY IN A WELL-VENTILATED AREA. SEE OPERATING INSTRUCTIONS FOR DETAILS.

5 **⚠ DANGER**
RISK OF EXPLOSION. NEVER USE GASOLINE IN THIS HEATER.

6 **⚠ CAUTION**
DO NOT USE THIS CONTAINER FOR TRANSPORTING OR STORAGE OF KEROSENE OR ANY OTHER FLAMMABLE LIQUIDS. THIS CONTAINER IS INTENDED TO PERMIT OUTDOOR REFILLING WITHOUT MOVING THE HEATER.

